

ELECTRONICS

WIRING FOR 2X SPYKER KAT + 2X SNOW BLOWER

- COLOR CODE
- # = NEW WIRES
 - # = CUT EXISTING WIRES
 - # = SERVO WIRE



VOLTAGE METER

*TAPE THERMISTOR TO MOTOR OR ESC

*CONNECT TO 36V

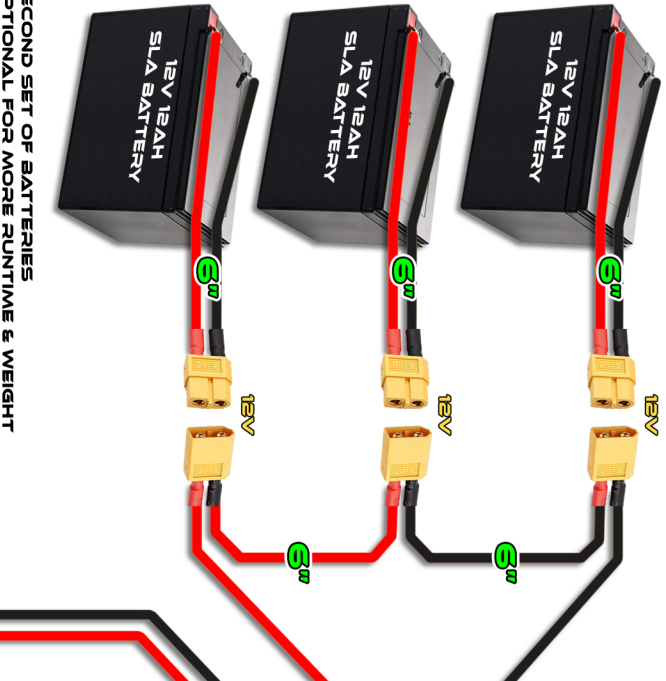


MAIN POWER SWITCH

USE ONLY 36V RATED FUSES

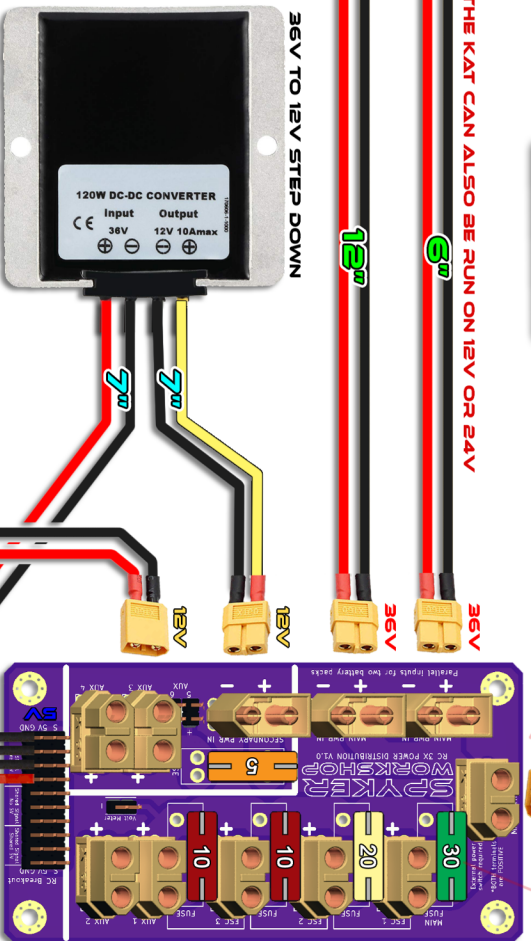
*THE KAT CAN ALSO BE RUN ON 12V OR 24V

36V TO 12V STEP DOWN



SECOND SET OF BATTERIES
OPTIONAL FOR MORE RUNTIME & WEIGHT

*NOT NEEDED IF USING 12V



REMOVE THE RED WIRE FROM ALL OTHER ESCS ONLY ONE ESC SHOULD SUPPLY POWER TO THE RECEIVER! (LET HOBBYING 1060 SUPPLY POWER)



9X RECEIVER

PRE-MADE LIGHT KITS

REAR OF KAT

FRONT OF KAT

*WIRE THAT COME WITH THE LIGHT KITS

NOT USED

CHUTE ROTATION SERVO

- *** CONVERT TO 360 DEGREE
- *** REMOVE POTENTIOMETER
- *** REMOVE STOP ON GEAR
- *** WIRE DIRECTLY TO MOTOR ***

